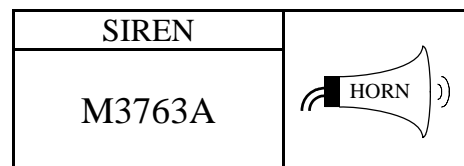




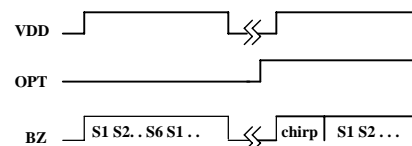
**HORN/SIREN  
WITH SOFT CHIRP  
6 ALARM SOUNDS**

警報喇叭專用  
附唧聲  
6種警報聲 IC



**.FEATURES 功能敘述**

- Six different sounds.
- MODE : continuous.
- OPT : OPEN = 6 sounds  
VDD = 6 sounds with soft chirp  
Soft chirp = 200ms
- Suffix : A → 6 Sounds cascade ( OTP1 = VSS )  
B → 4 Sounds cascade ( OTP3 = VDD )  
C → 1 Sound ( OTP2 = VDD )



**APPLICATION 產品應用**

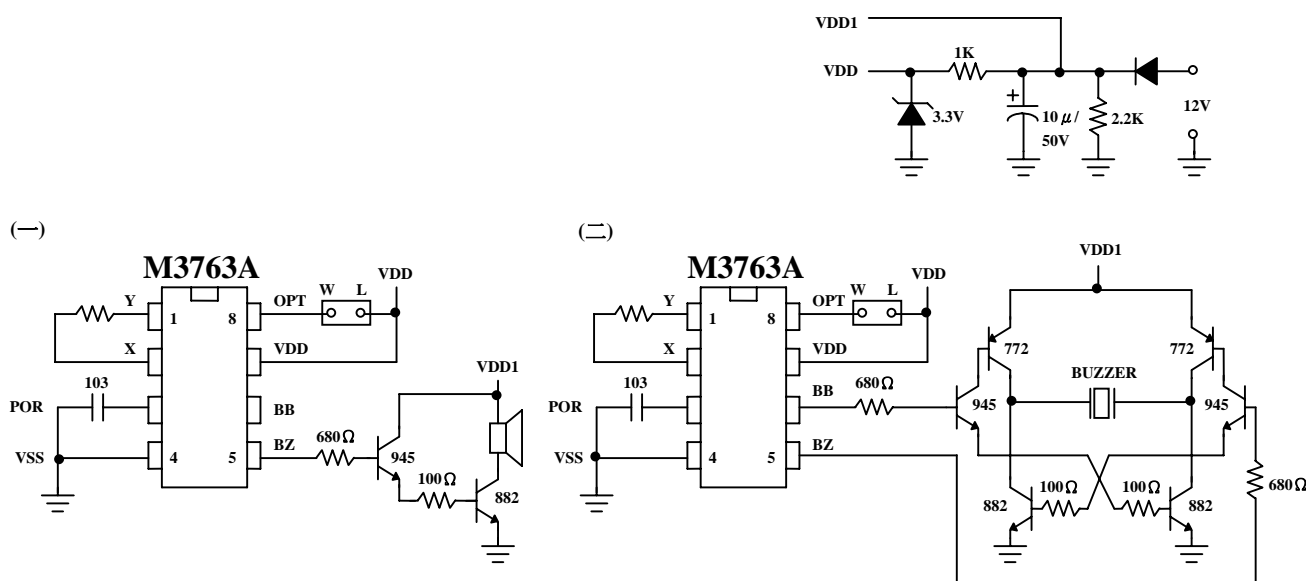
- Alarm system, Horn etc..

**ELECTRICAL CHARACTERISTICS 電氣規格**

( @V<sub>DD</sub>=3V unless otherwise specified )

| Characteristics            | Sym.             | Min. | Typ. | Max. | Unit | REMARKS                  |
|----------------------------|------------------|------|------|------|------|--------------------------|
| 工作電壓 Operating Voltage     | V <sub>DD</sub>  | —    | 3    | 3.5  | V    |                          |
| 工作電流 Operating Current     | I <sub>OP</sub>  | —    | 0.1  | 0.5  | mA   | No load                  |
| 推動電流 BZ Driving Current    | I <sub>O</sub>   | 1    | —    | —    | mA   | @V <sub>DS</sub> =1V     |
| 振盪頻率 Oscillator Frequency  | F <sub>OSC</sub> | —    | 80   | 128  | KHz  | External±30%, Rosc=180KΩ |
| 工作溫度 Operating Temperature | Temp.            | 0    | 25   | 60   | °C   |                          |

**APPLICATION DIAGRAM 參考電路圖**




\* All specs and applications shown above subject to change without prior notice.  
( 以上電路及規格僅供參考,本公司得逕行修正 )



HORN/SIREN  
WITH SOFT CHIRP  
6 ALARM SOUNDS

警報喇叭專用  
附唧聲  
6種警報聲IC

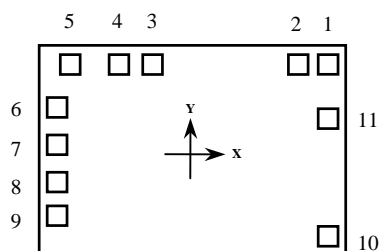
|        |   |
|--------|---|
| SIREN  |  |
| M3763A |   |

### SOUND LIST

| NO. | M3763A-1A             | NO. | M3763A-1B            | NO. | M3763A-1C            |
|-----|-----------------------|-----|----------------------|-----|----------------------|
| 1   | Standard Siren Sound  | 1   | Standard Siren Sound | 1   | Standard Siren Sound |
| 2   | Code-alarm Sound      | 2   | Code-alarm Sound     |     |                      |
| 3   | Ray Gun Sound         | 3   | Slut-Machine Sound   |     |                      |
| 4   | Slut-Machine Sound    | 4   | Euro-siren Sound     |     |                      |
| 5   | Smoke-alariming Sound |     |                      |     |                      |
| 6   | Euro-siren Sound      |     |                      |     |                      |

| NO. | M3763A-5A             | NO. | M3763A-5B            | NO. | M3763A-5C            |
|-----|-----------------------|-----|----------------------|-----|----------------------|
| 1   | Euro-siren sound (1)  | 1   | Euro-siren sound (1) | 1   | Euro-siren sound (1) |
| 2   | Alarm Sound (1)       | 2   | Alarm Sound (1)      |     |                      |
| 3   | Euro-siren sound ( 2) | 3   | Standard Siren sound |     |                      |
| 4   | Standard Siren sound  | 4   | Alarm Sound (2)      |     |                      |
| 5   | Horn                  |     |                      |     |                      |
| 6   | Alarm Sound (2)       |     |                      |     |                      |

### PAD ASSIGNMENT & POSITION



UNIT : um

| No. | NAME | X       | Y       |
|-----|------|---------|---------|
| 1   | INI  | 686.00  | 438.75  |
| 2   | OPT1 | 500.50  | 438.75  |
| 3   | VSS  | -219.00 | 438.75  |
| 4   | BZ1  | -385.00 | 438.75  |
| 5   | BZ2  | -628.50 | 438.75  |
| 6   | OPT3 | -686.00 | 229.25  |
| 7   | VDD  | -686.00 | 42.25   |
| 8   | OPT2 | -686.00 | -148.25 |
| 9   | SOFT | -686.00 | -320.75 |
| 10  | Y    | 686.00  | -440.00 |
| 11  | X    | 686.00  | 189.25  |

\* CHIP SIZE ~ 1.61 x 1.18 mm<sup>2</sup>

\* IC substrate should be connected to VDD in PCB (PCB 上 IC 必須接 VDD)